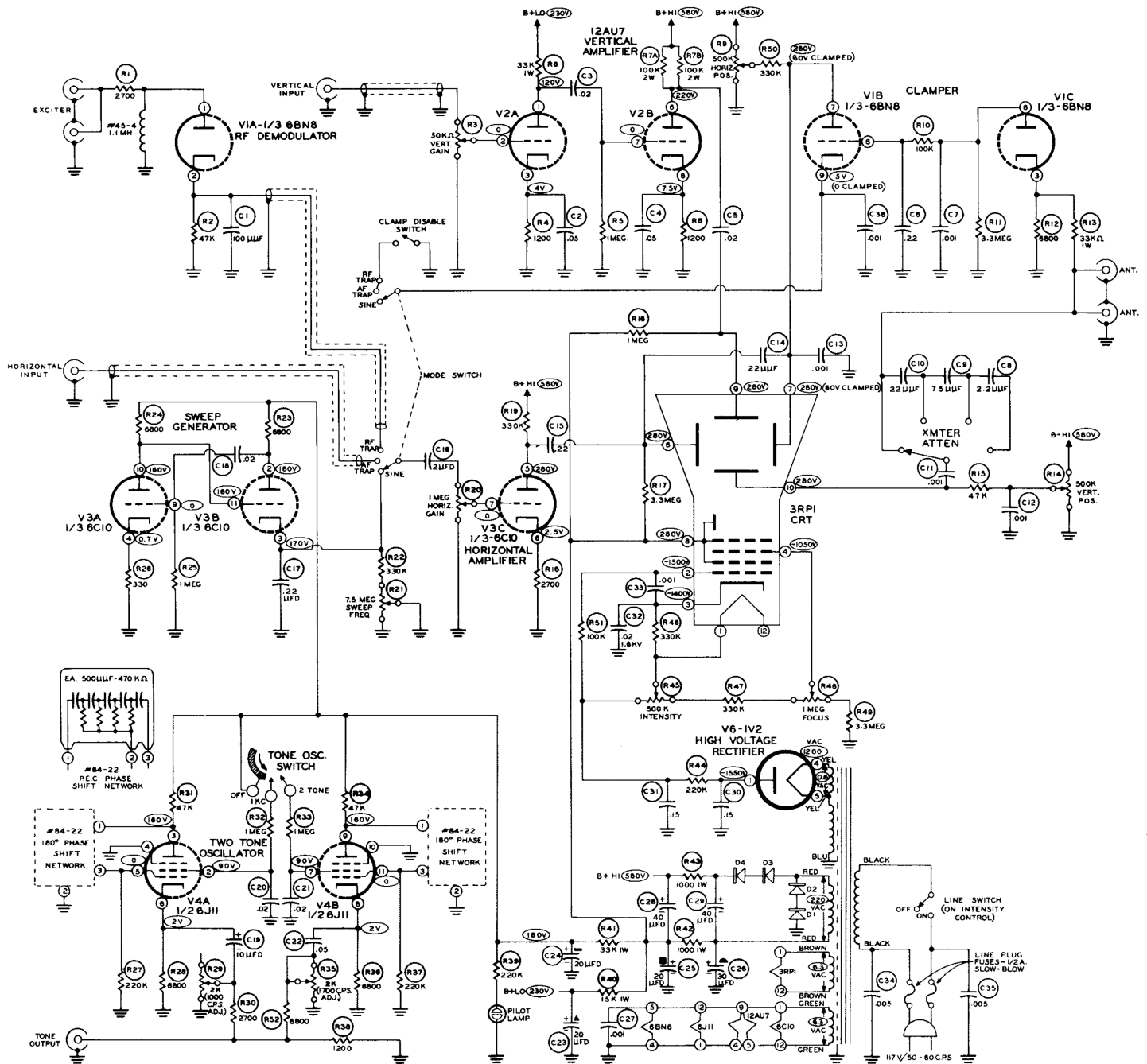


# Heathkit HO-10 Schematic



SCHEMATIC OF THE  
HEATHKIT®  
AUDIO ANALYZER  
MONITOR SCOPE  
MODEL HO-10

NOTES:  
ALL SWITCHES FULL COUNTERCLOCKWISE AS VIEWED FROM FRONT.  
⊖ INDICATES VOLTAGE.  
ALL VOLTAGES MEASURED WITH 20,000 Ω/VOLT (OR HIGHER) METER.  
ALL VOLTAGES MEASURED FROM POINT INDICATED TO GROUND EXCEPT AC TRANSFORMER VOLTAGES.  
ALL RESISTORS 1/2 WATT UNLESS OTHERWISE SHOWN.  
ALL CAPACITORS LISTED ARE IN -μF UNLESS OTHERWISE SHOWN.