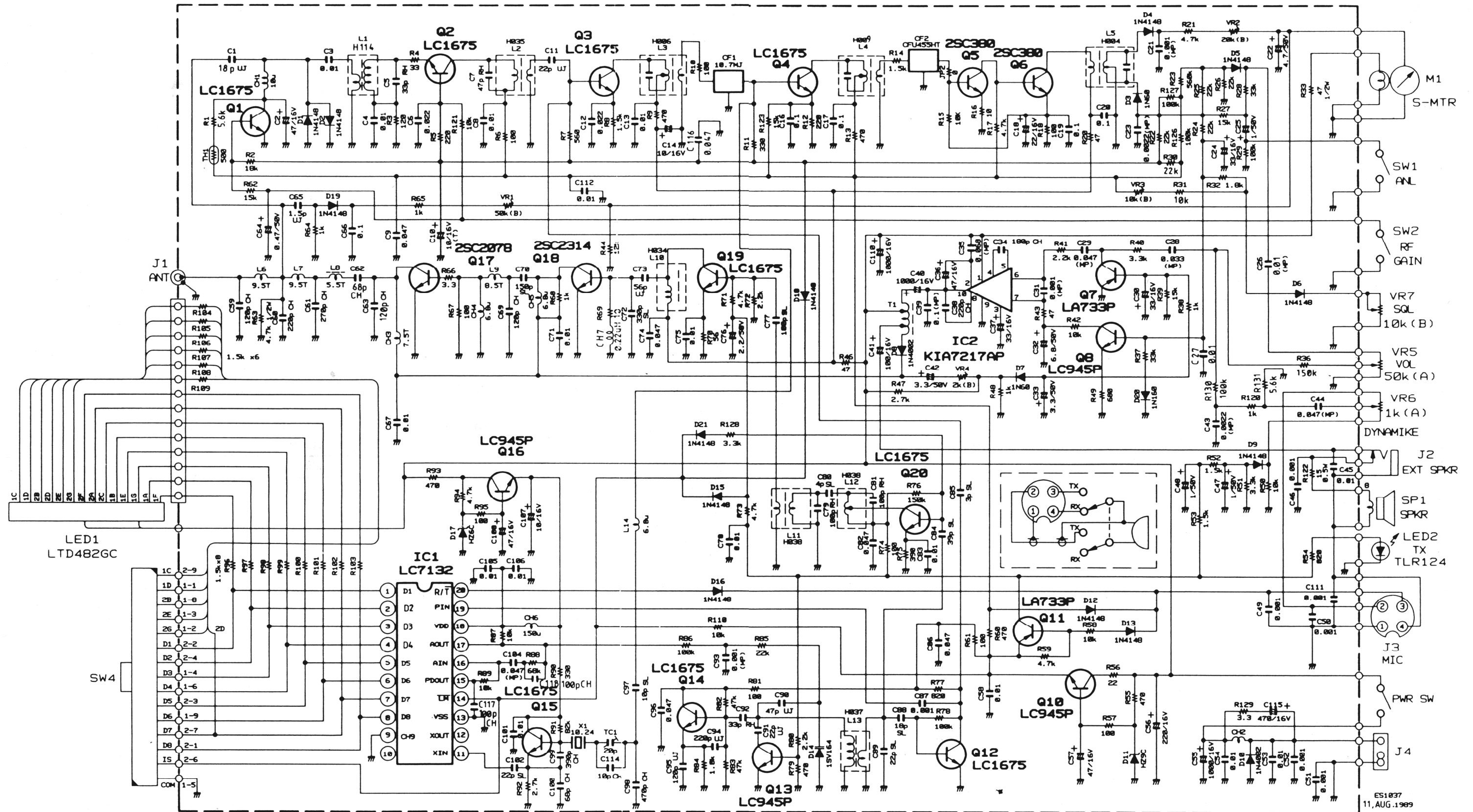


# CIRCUIT DIAGRAM FOR COBRA 21LTD CLASSIC



1. RESISTANCE VALUES ARE SHOWN IN OHMS UNLESS OTHERWISE NOTED. (K=KILO OHM , M=MEG OHM)
2. RESISTOR WATTAGES ARE 1/4W UNLESS OTHERWISE NOTED.
3. CAPACITANCE VALUES ARE INDICATED IN MICROFARADS UNLESS OTHERWISE NOTED. (P=MICRO-MICRO FARAD)
4. CIRCUIT AND COMPONENTS ARE SUBJECT TO CHANGE WITHOUT NOTICE.